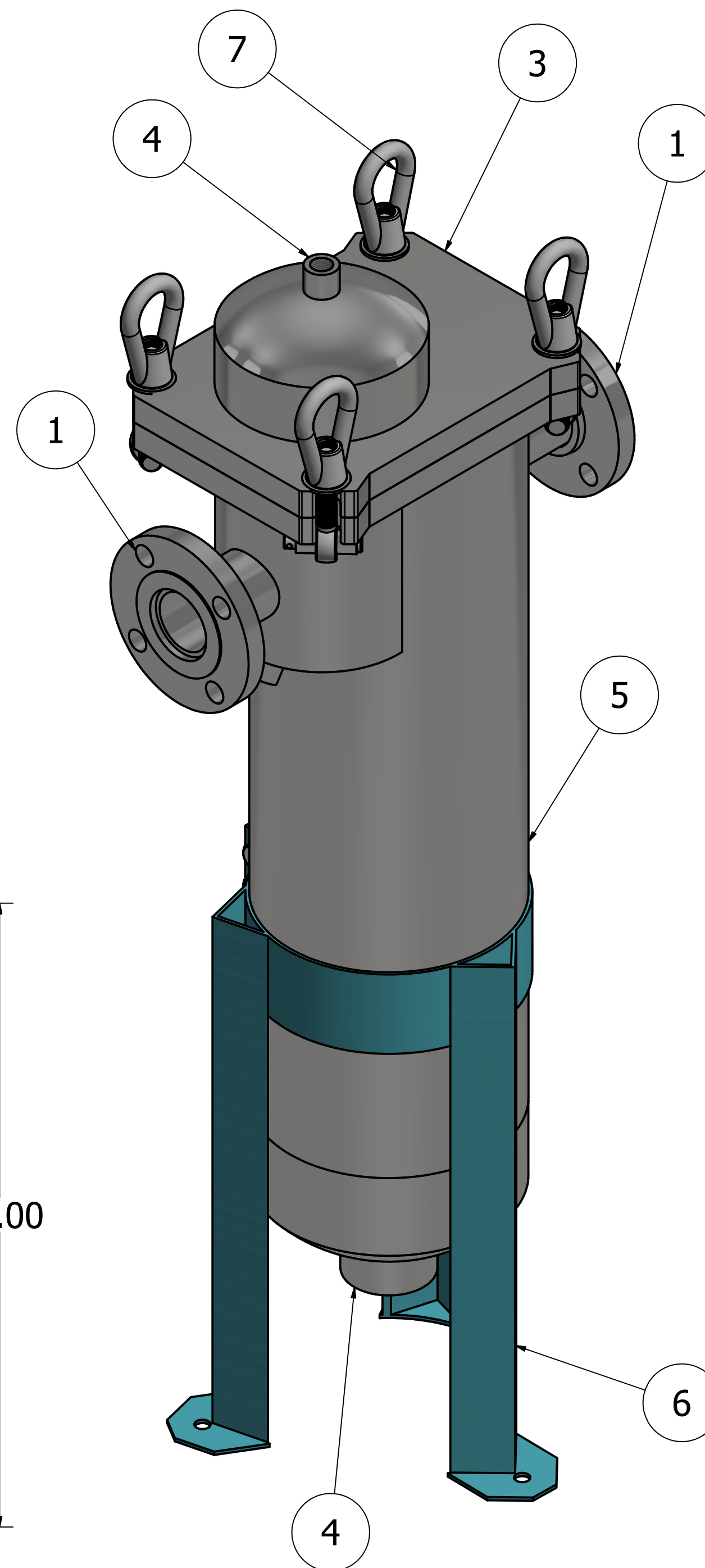
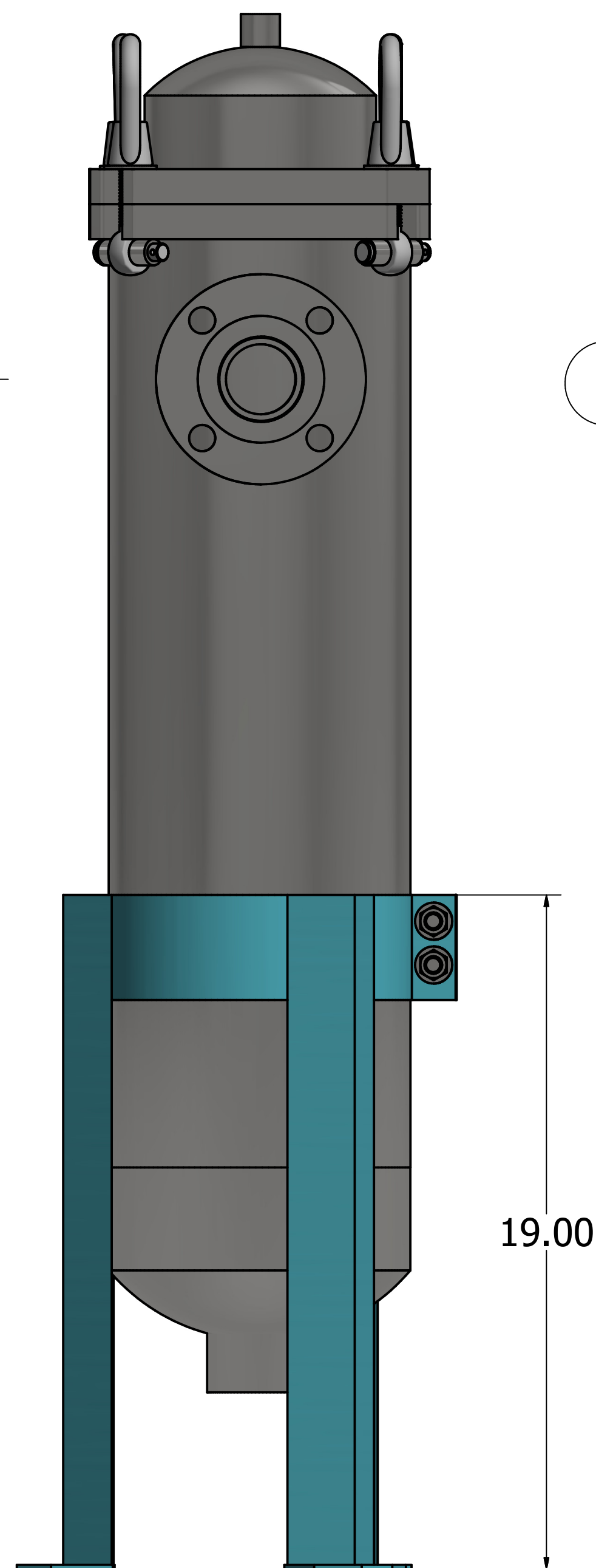
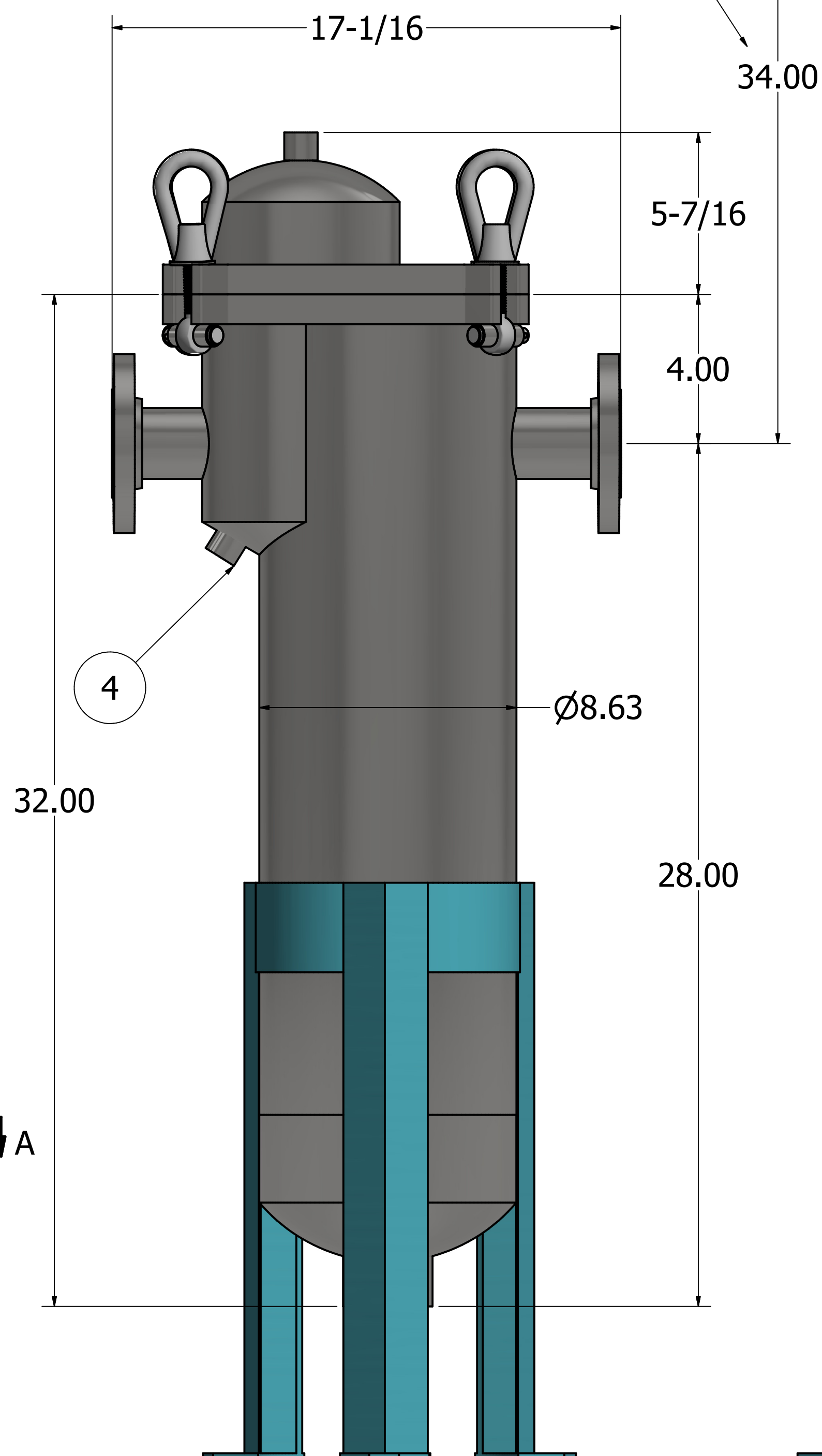
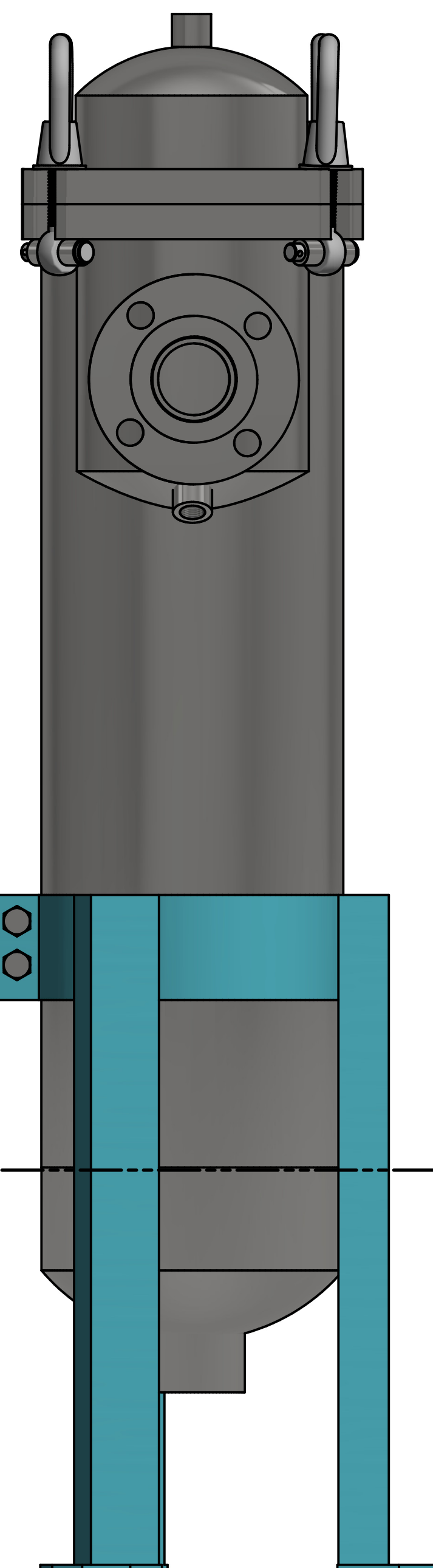


SECTION A-A  
SCALE 0.3

STAND OFF HEIGHT  
REQUIRED FOR BASKET REMOVAL

ALL DIMENSIONS ARE INCHES



PARTS LIST			
ITEM	QTY	PART NUMBER	DESCRIPTION
1	2	2"-150# SORF	INLET/OUTLET FLANGES 2"-150# SORF
2	1	Half Coupling Threaded - Class 3000 2 x 2	DRAIN CONNECTION 2" NPTF
3	1	COVER	TOP COVER
4	2	Half Coupling Threaded - Class 3000 1/2 x 1/2	Vent Connection and Inlet Drain Connection
5	1	CentralBody.8.0	Central Body
6	1	Strainer Stand	Strainer Stand 1-1/2 SS Fabricated Angle
7	4	Eyebolt and Eye Nut set for quick opening	Quick closing fasteners

CONSTRUCTION AS PER ASME SECTION VIII  
 MAX WORKING PRESSURE: 150 PSI  
 HYDROTEST PRESSURE 205 PSI  
 MAX TEMP: 250°F  
 MIN TEMP: -20°F  
 MATERIALS:  
 CARBON STEEL OR 316SS

DRAWN		Control Factors - Seattle, Inc	
QA		1508 O Street SW #101 Auburn, WA 98001	
MFG		PH:425.483.5613	
APPROVED		sales@controlfactors.com	
		SIZE D	REV 1
		SCALE 0.3	SHEET 1 OF 1